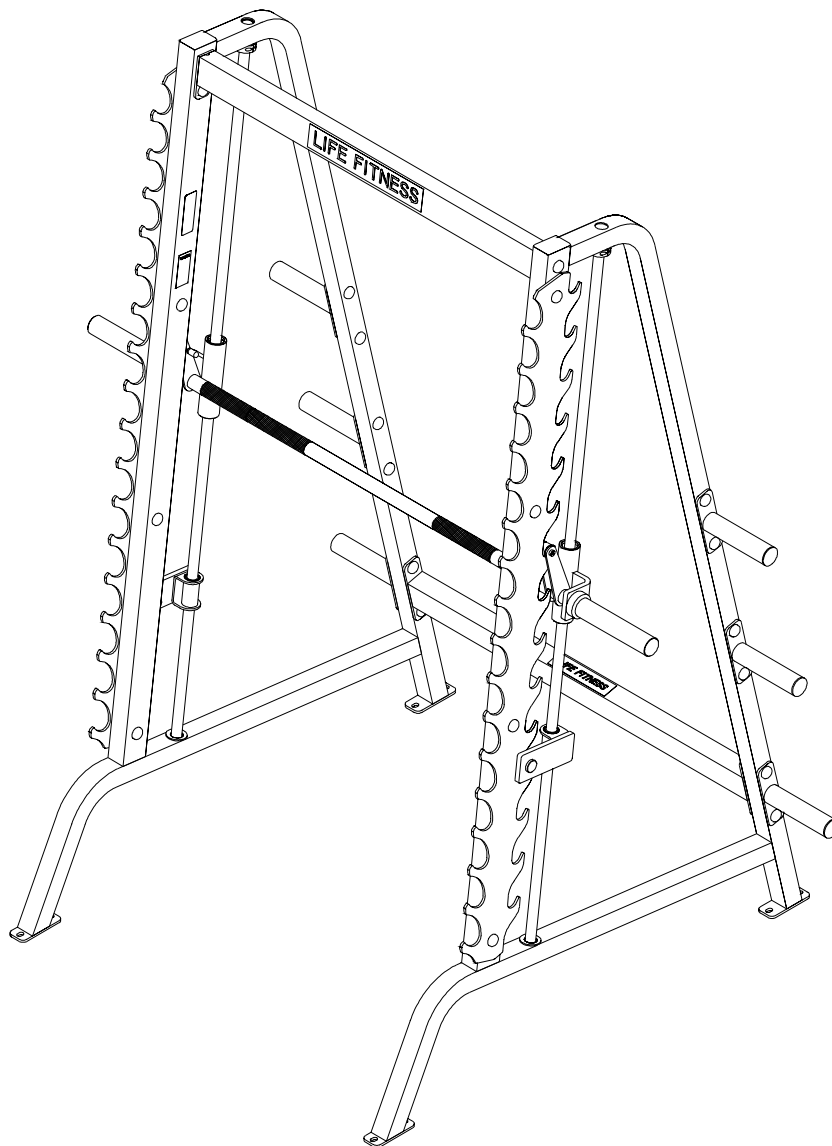


# *Life Fitness*

## ***CLUB SERIES SMITH MACHINE***

---



---

## ***ASSEMBLY INSTRUCTIONS***

# PARTS LIST

KEY	PART #	DESCRIPTION	QTY	KEY	PART #	DESCRIPTION	QTY
1	71851xx	RIGHT UPRIGHT	1	11	3102922	3/8 X 2-3/4" BOLT	16
2	71124xx	TOP CROSS BRACE	1	12	3102904	3/8 X 3" BOLT	6
3	71125xx	BOTTOM CROSS BRACE	1	13	3102807	3/8" LOW HEIGHT LOCK NUT	20
4	7185201	HOUSING	2	14	3102514	3/8" SAE WASHER	42
5	7182702	BAR STOP	2	15	6866701	3/8" RH WASHER	42
6	3203002	1" SHAFT COLLAR	2	16	72031xx	LEFT UPRIGHT	1
7	<del>7185001</del>	SMITH BAR	1	17	7114701	LANGUAGE PLACARD LABEL	1
8	7178101	BAR SUPPORT RACK	2	18	6866601	BLACK RH CAP	20
9	7112601	WEIGHT HORN	6	19	6866602	WHITE RH CAP	22
10	7104601	GUIDE ROD	2	OR	<del>6866603</del>	PLATINUM RH CAP	22

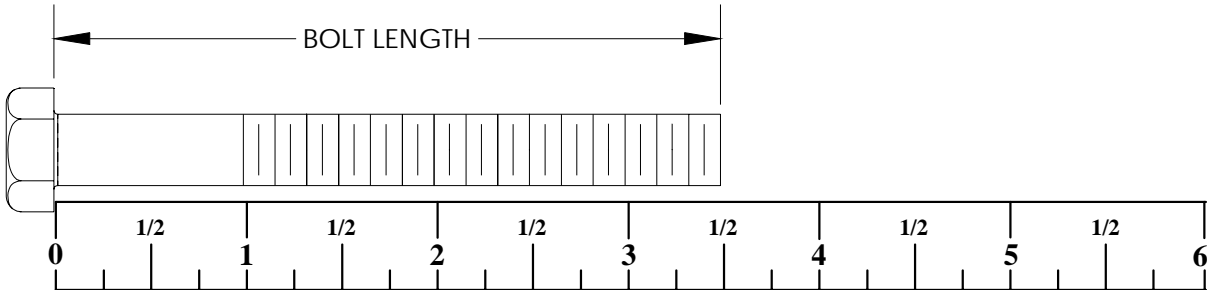
The XX represents the color code for a part:  
 08 Ramsey White  
 07 Platinum

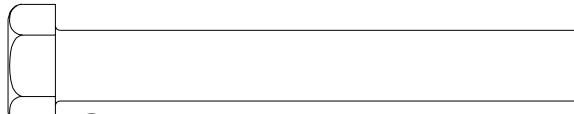
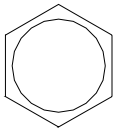
## Tools Required for Assembly

- \* Rubber mallet or hammer
- \* 9/16" wrench
- \* Ratchet with 9/16" socket
- \* 3/16" Allen wrench

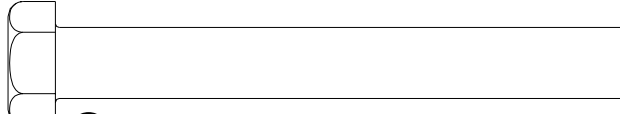
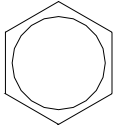
## Bolt Length Ruler

**NOTE: BOLT LENGTH IS MEASURED FROM THE UNDERSIDE OF THE HEAD OF THE BOLT.**

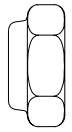
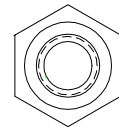




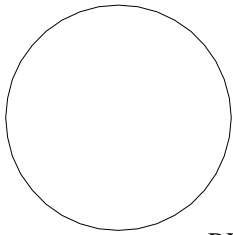
⑪ 3/8 X 2-3/4" BOLT



⑫ 3/8 X 3" BOLT

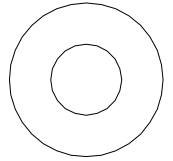


⑬  
3/8" LOW  
HEIGHT LOCK  
NUT

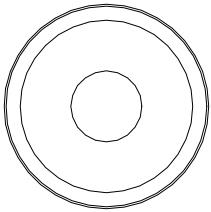


⑱ ⑲  
RH CAP

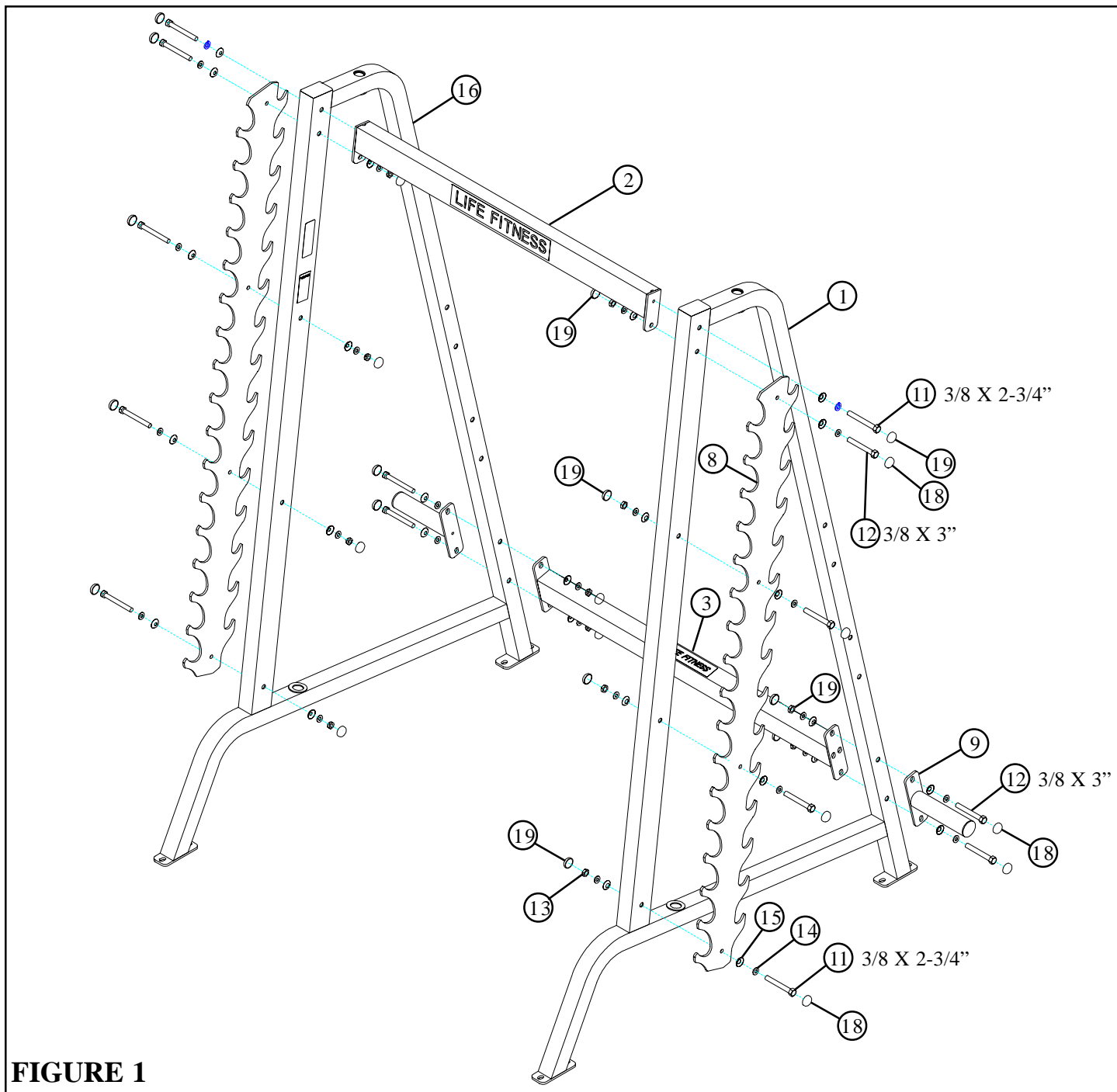
(BLACK/WHITE/PLATINUM)



⑭  
3/8" SAE  
WASHER



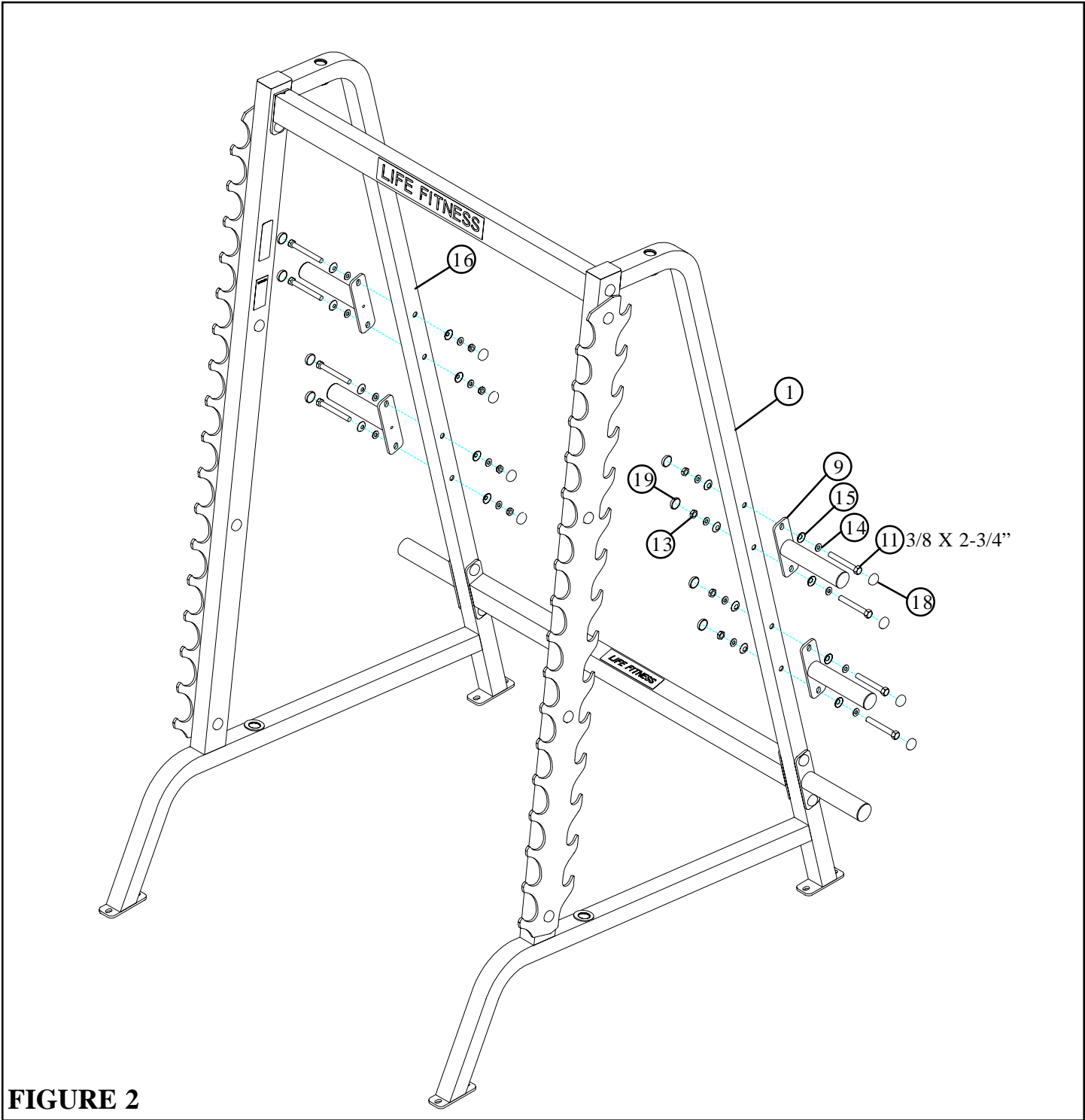
⑮  
RH  
WASHER



**FIGURE 1**

**STEP 1:**

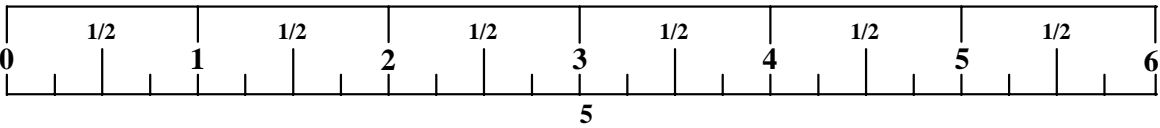
- **LOOSELY** assemble the two **WEIGHT HORNS (9)** and the **BOTTOM CROSS BRACE (3)** to the **RIGHT** and **LEFT UPRIGHTS (1 & 16)** as shown in **FIGURE 1** using using four **BLACK RH CAPS (18)**, four **RH CAPS (19)**, four **3/8 X 3\"**
- **LOOSELY** assemble the **TOP CROSS BRACE (2)** to the **TOP SET** of holes of the **RIGHT** and **LEFT UPRIGHTS (1 & 16)** as shown in **FIGURE 1** using using two **RH CAPS (19)**, two **3/8 X 2-3/4\"**
- **LOOSELY** assemble the **BAR SUPPORT RACKS (8)** to the outside of the **RIGHT** and **LEFT UPRIGHTS (1 & 16)** as shown in **FIGURE 1** using eight **BLACK RH CAPS (18)**, eight **RH CAPS (19)**, six **3/8 X 2-3/4\"**
- **SECURELY** tighten all connections made to up to this point.



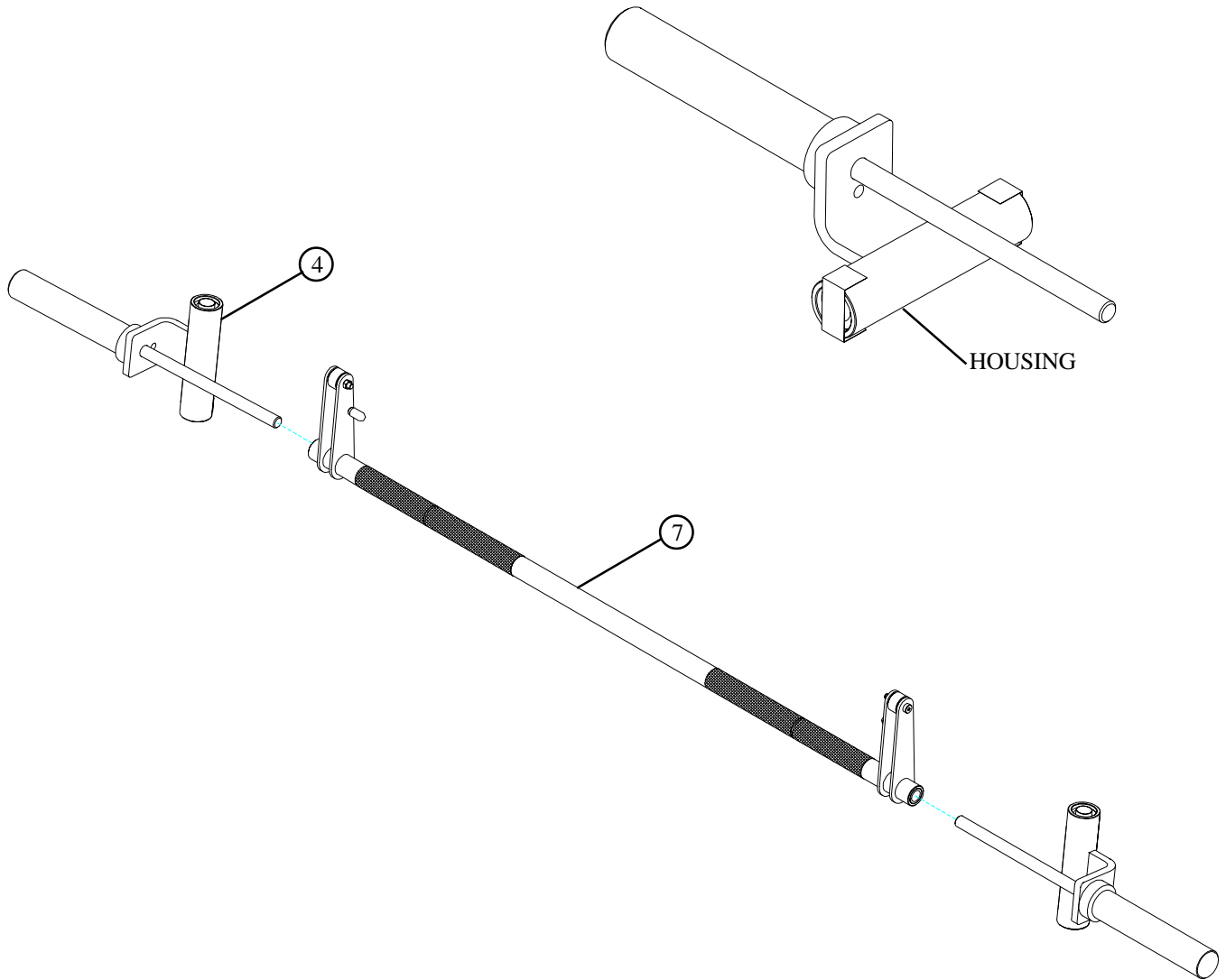
**FIGURE 2**

**STEP 2:**

- **SECURELY** assemble the four WEIGHT HORNS (9) to the RIGHT and LEFT UPRIGHTS (1 & 16) as shown in FIGURE 2 using eight BLACK RH CAPS (18), eight RH CAPS (19), eight 3/8 X 2-3/4" BOLTS (11), sixteen 3/8" SAE WASHERS (14), sixteen 3/8" RH WASHERS (15) and eight 3/8" LOW HEIGHT LOCK NUTS (13) as shown in FIGURE 2.



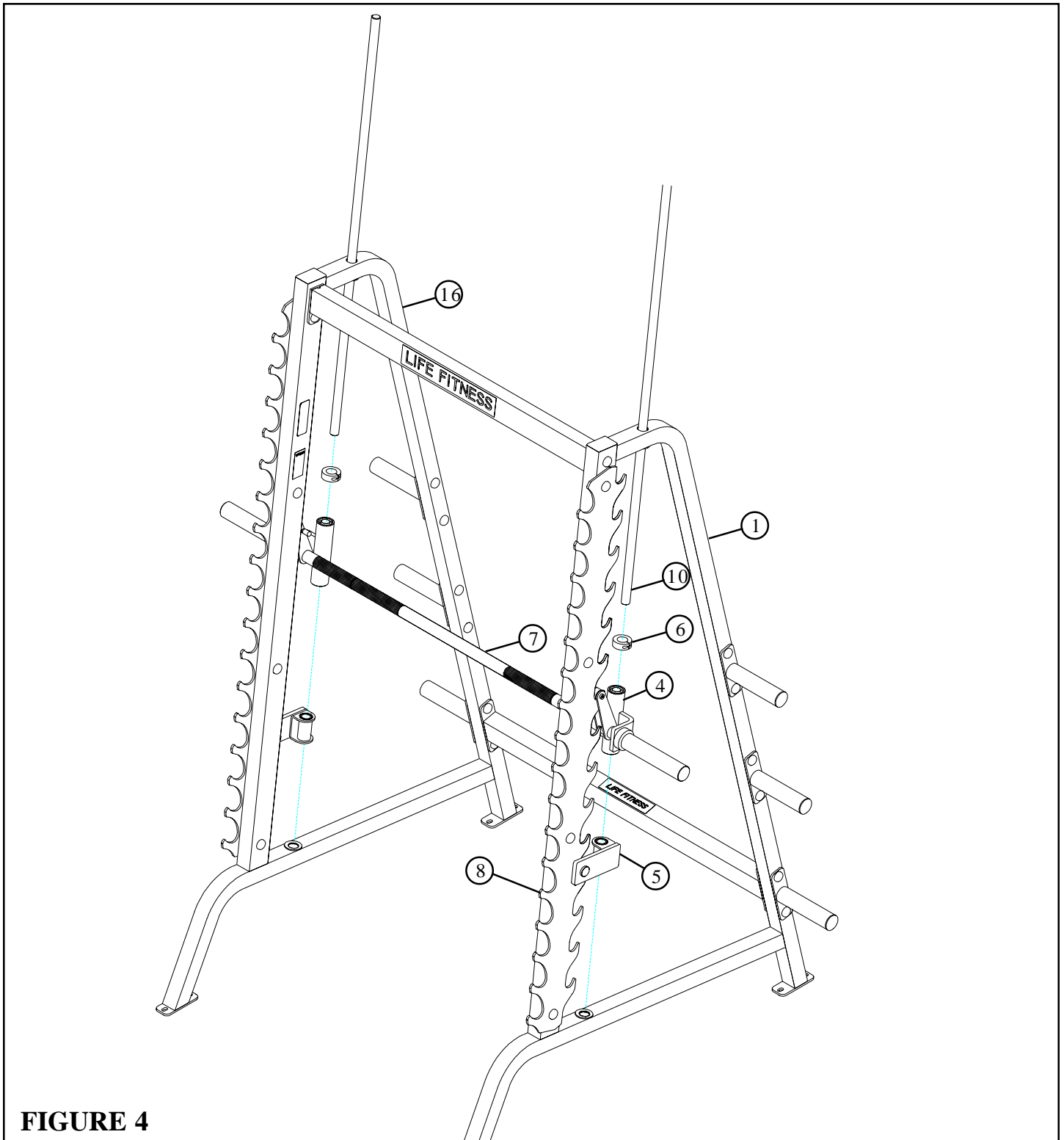
**!! IMPORTANT !!**  
**REMOVE TAPE FROM BOTH ENDS OF THE**  
**HOUSINGS AS SHOWN!**  
**DO NOT REMOVE PLASTIC TUBES ON THIS STEP!**



**FIGURE 3**

**STEP 3:**

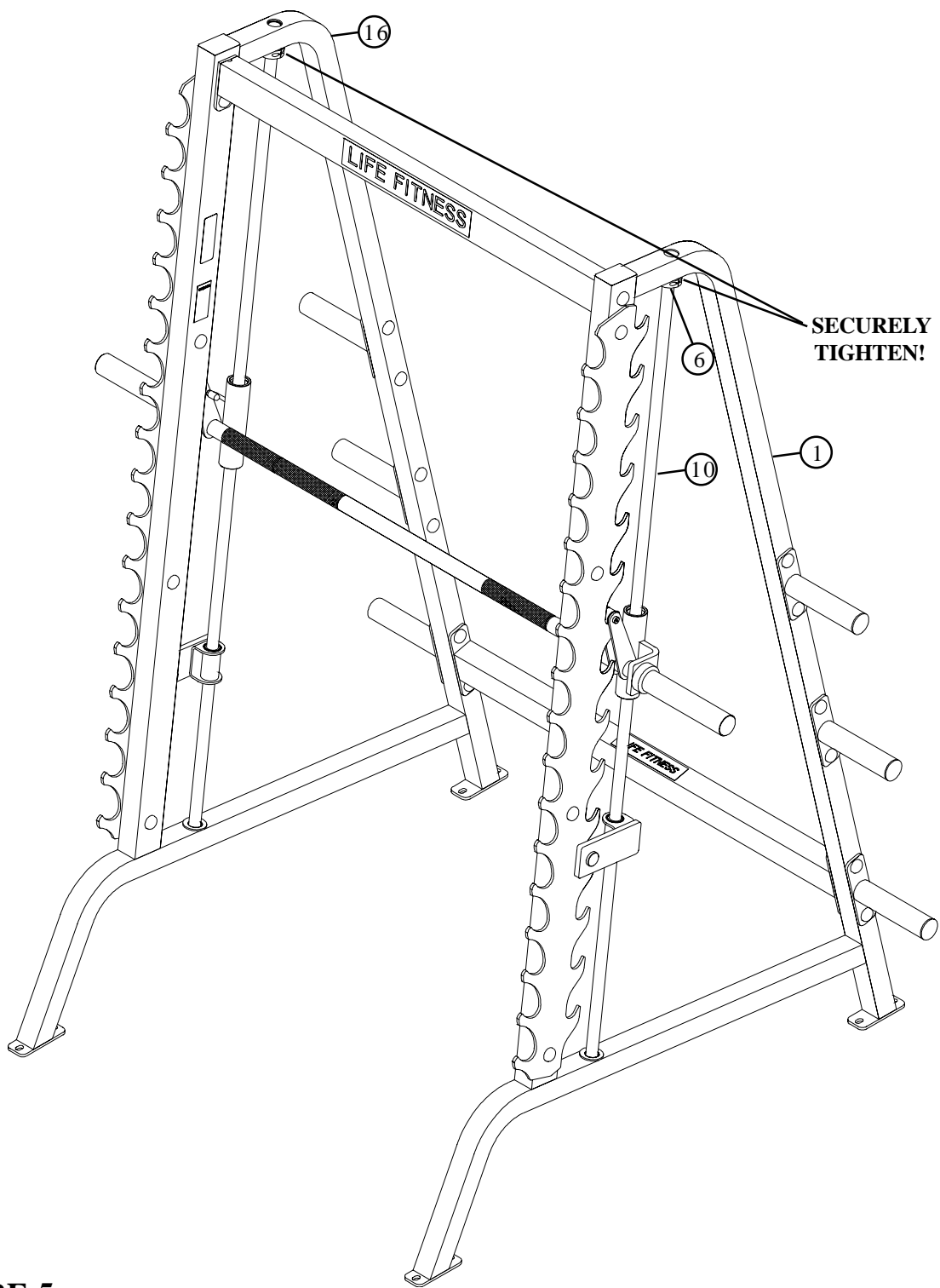
- Insert the shaft of the HOUSINGS (4) into the ends of the SMITH BAR (7) as shown in FIGURE 3.



**FIGURE 4**

**STEP 4:**

- Hook the SMITH BAR (7) onto slots of the BAR SUPPORT RACKS (8).
- Slide one GUIDE ROD (10) through the upper hole in the UPRIGHT (1 & 16) and proceed to slide one 1" SHAFT COLLAR (6) over the bottom of the GUIDE ROD (10) as shown in FIGURE 4.
- **CAREFULLY** lower the GUIDE ROD (10) through the HOUSING (4) on the SMITH BAR (7). (**NOTE: Allow the GUIDE RODS (10) to push the plastic insert out the bottom of the HOUSINGS (4). Discard these inserts.**)
- **CAREFULLY** slide one BAR STOP (5) over the end of the GUIDE ROD (10). Hook BAR STOP (5) into the slots of BAR SUPPORT RACKS (8) as shown.
- Insert the GUIDE ROD (10) into the bottom hole of the UPRIGHT (1 & 16). Repeat this step on the other side.

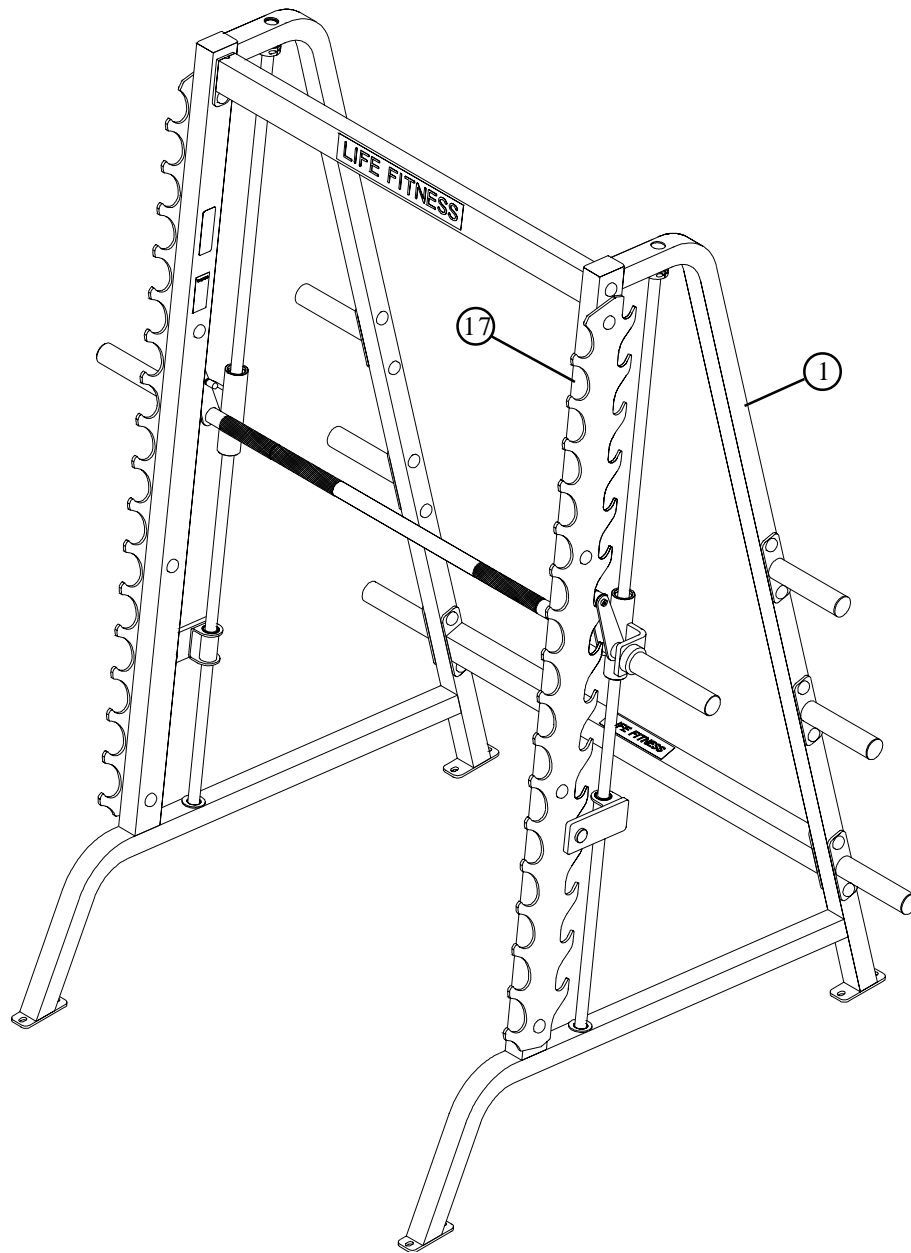


**FIGURE 5**

**STEP 5:**

- Slide the 1" SHAFT COLLARS (6) up the GUIDE RODS (10) to the bushing of the UPRIGHTS (1 & 16) and **SECURELY TIGHTEN.**





**FIGURE 6**

**STEP 6:**

- If necessary, apply the FOREIGN LANGUAGE PLACARD LABEL (17) to the PLACARD LABEL on the RIGHT UPRIGHT (1) as shown in FIGURE 6.
- This equipment is designed to be stable during normal use, however, in order to ensure the safety of personnel during potential misuse of the equipment, we strongly recommend that this equipment be securely fastened to the floor of the facility with 1/2" (12mm) fasteners compatible with the flooring material of the facility.

## CAUTION-PLEASE READ

There is a risk assumed by individuals who use this type of equipment. To minimize risk, please follow these rules:

1. Inspect equipment daily. Tighten all loose connections and replace worn parts immediately. Failure to do so may result in serious injury.
2. Do not allow minors or children to play on or around this equipment.
3. Exercise with care to avoid injury.
4. Consult your physician before beginning any exercise program.

### WARRANTY INFORMATION

10 YEARS	STRUCTURAL FRAME
3 YEARS	PILLOW BLOCKS, PULLEYS, WEIGHT PLATES AND GUIDE RODS
1 YEAR	CABLES
90 DAYS	UPHOLSTERY

### PREVENTATIVE MAINTENANCE TIPS

<i>Action</i>	<i>DAILY</i>	<i>WEEKLY</i>	<i>QUARTERLY</i>	<i>BI-ANNUALLY</i>	<i>AS NEEDED</i>
<b>CLEAN</b>					
Upholstery	<b>X</b>				
Guide Rods					<b>X</b>
Hand Grips					<b>X</b>
<b>INSPECT</b>					
Visual Overall	<b>X</b>				
Cables		<b>X</b>			
Hardware			<b>X</b>		
Frame				<b>X</b>	
Hand Grips					<b>X</b>
<b>LUBRICATE</b>					
Guide Rods					<b>X</b>

#### Clean:

- Upholstery with mild soap and water.
- Guide rods with a cotton cloth.
- Hand grips with mild soap and water.
- Frame damage can be repaired with touch-up paint can be purchased from your LifeFitness customer service representative at (800)351-3737.

#### Inspect:

- Cables for wear or damage and proper tension (should not exceed 3/4" deflection.) Pay close attention at bends and attachment points.
- Hardware should be checked for looseness. Tighten as required.
- Frames should be inspected for wear or damage.
- Hand Grips should be checked for wear or damage

#### Lubricate:

- Lube the Guide Rods. Apply the lubricant to a cotton cloth, then run the cotton cloth up and down the guide rods as needed. Do not spray lubricant directly on the Guide Rods.

**Thank you for purchasing the LifeFitness CLUB SERIES SMITH. If unsure of proper use of equipment, call your local LifeFitness distributor or call the LifeFitness customer service department at**

**(800) 351-3737.**